



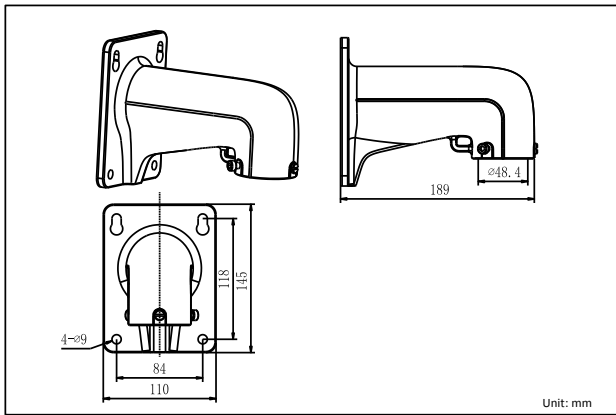
DS-1618ZJ

Short Arm Wall Mount Bracket

Features:

- Aluminum alloy material with surface spray treatment
- Exquisite and small design
- Design of safety rope for more convenient installation

Dimension:



Order Model:

DS-1618ZJ

Parameter:

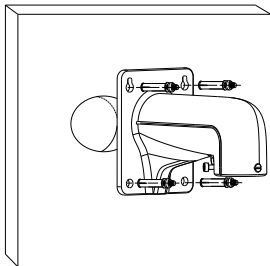
Model	DS-1618ZJ
Parameter	Short Arm Wall Mount Bracket
Appearance	Hik White
Range of Application	For speed dome wall mount
Material	Aluminum Alloy
Dimension	110×145×189mm
Weight	550g

Notice:

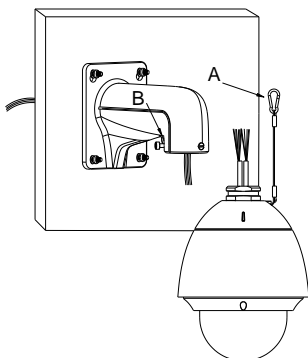
- The bracket should be installed on flat wall
- Load capacity of pole should be more than 3 times the weight of camera and bracket
- Load capacity of clamp is 30KG

Installation Step:

① Choose appropriate wall for bracket installation

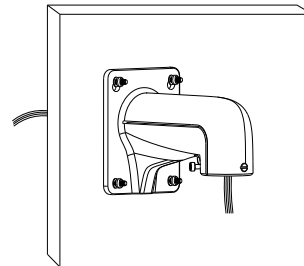


③ Tie the safety rope to hook and thread the cable

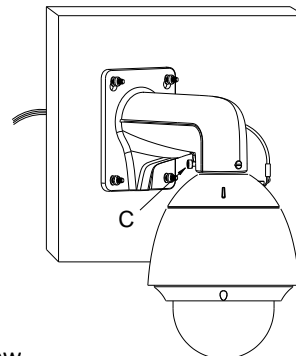


A: Safety rope B: Hook

② Thread the cable



④ Install the speed dome and screw up the set screw; installation complete



C: Set screw

Note: The actual bracket may vary from the picture above.